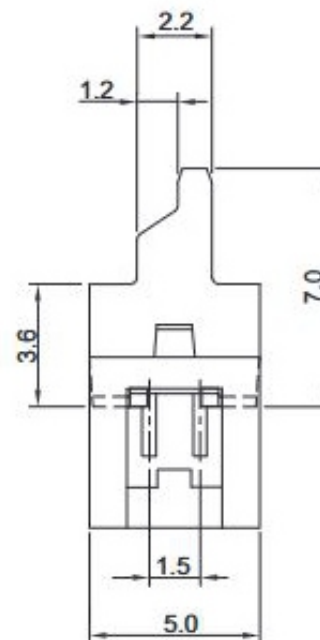
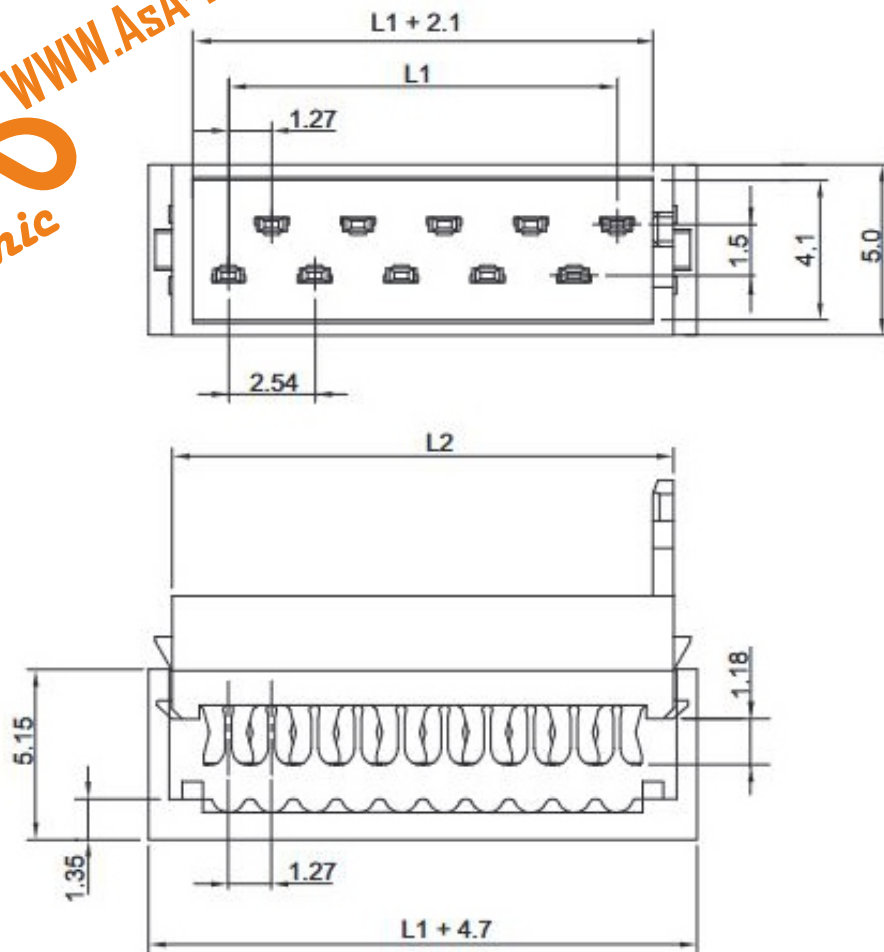


AsA  
Electronic  
WWW.AsA-Elec.com



$L1 = (\text{No. of contacts} - 1) \times 1.27$

$L2 = \text{No. of contacts} \times 1.27 + 2.03$

Tolerances		
Linear	.X	± 0.30
	.XX	± 0.20
	.XXX	± 0.10

AsA  
Electronic  
WWW.AsA-Elec.com

AsA Electronic Co.

Tel : (+98) 21 66 73 56 82 Mob : (+98) 912 03 161 02